

Local Area Networks

- **Project 802**
- **Ethernet**
- **Token Ring**
- **FDDI**

Figure 12-1

OSI Model and Project 802

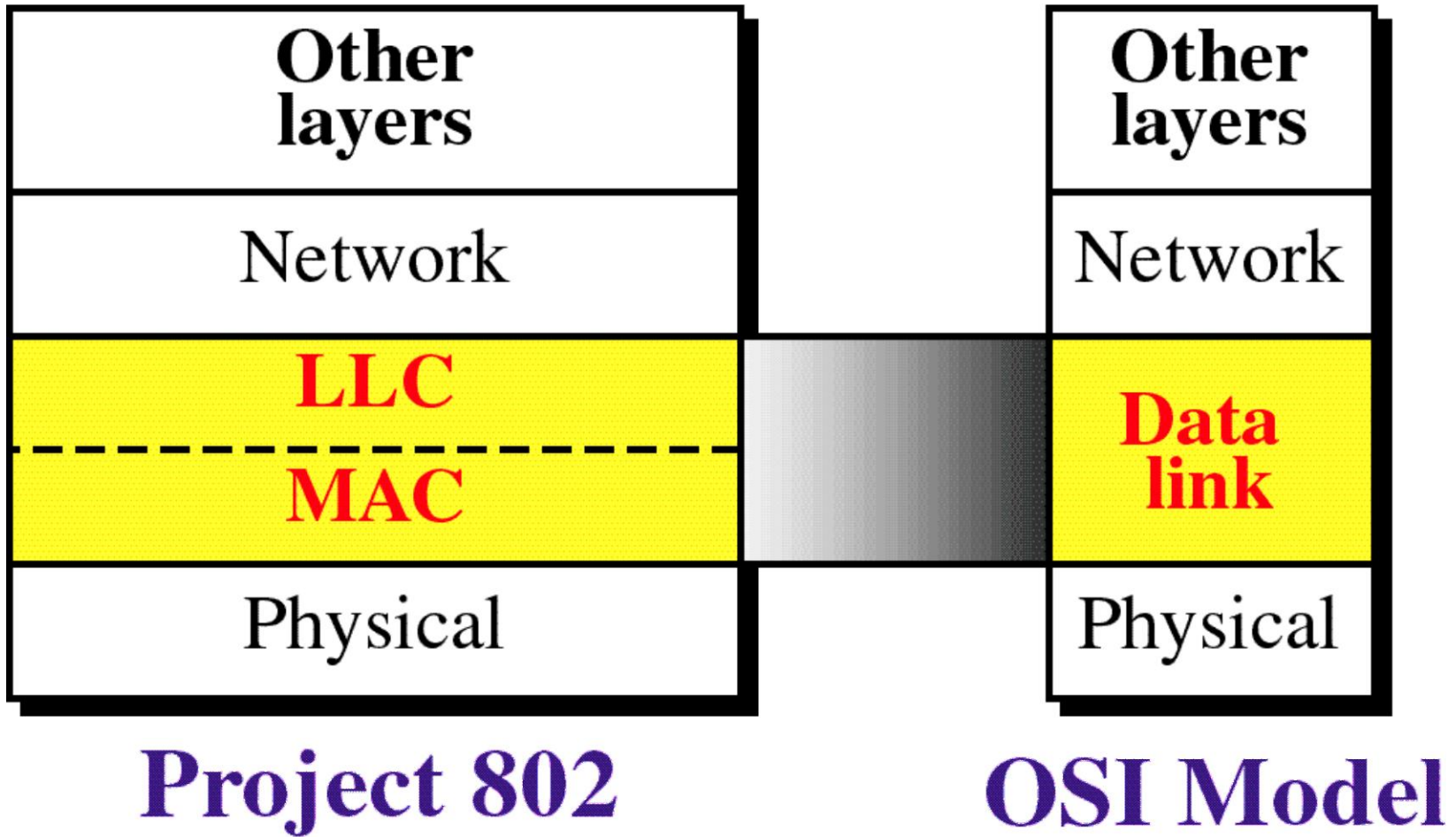
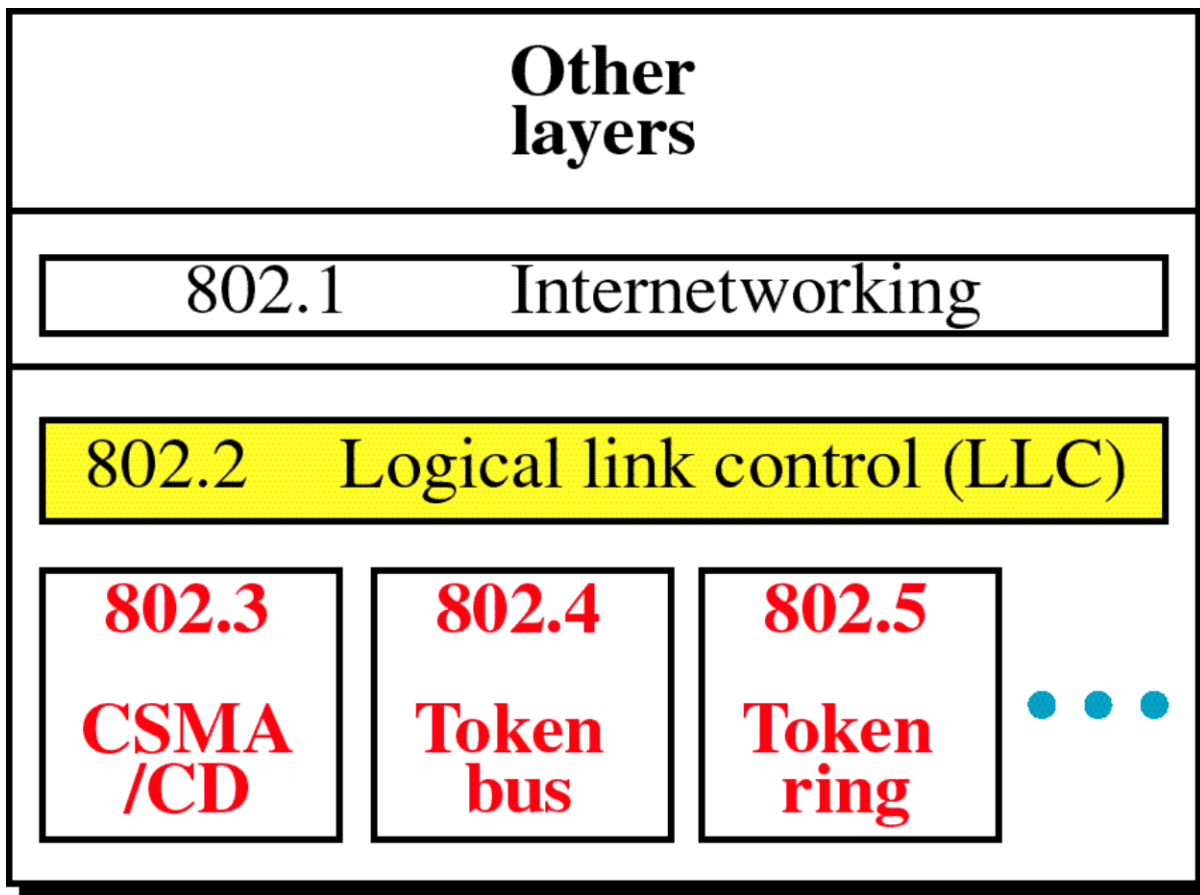
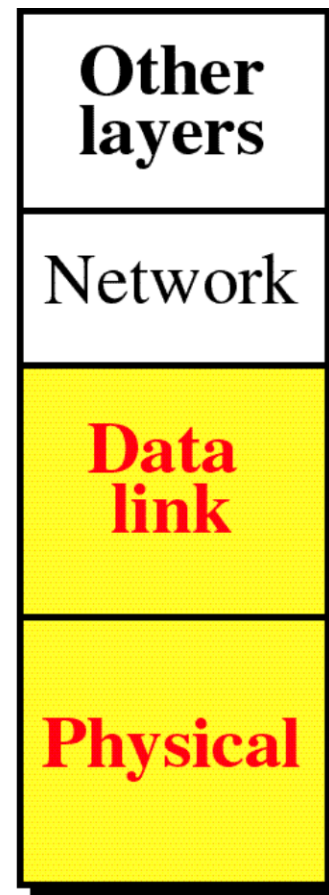


Figure 12-2

Project 802



Project 802



OSI Model

Figure 12-3

PDU Format

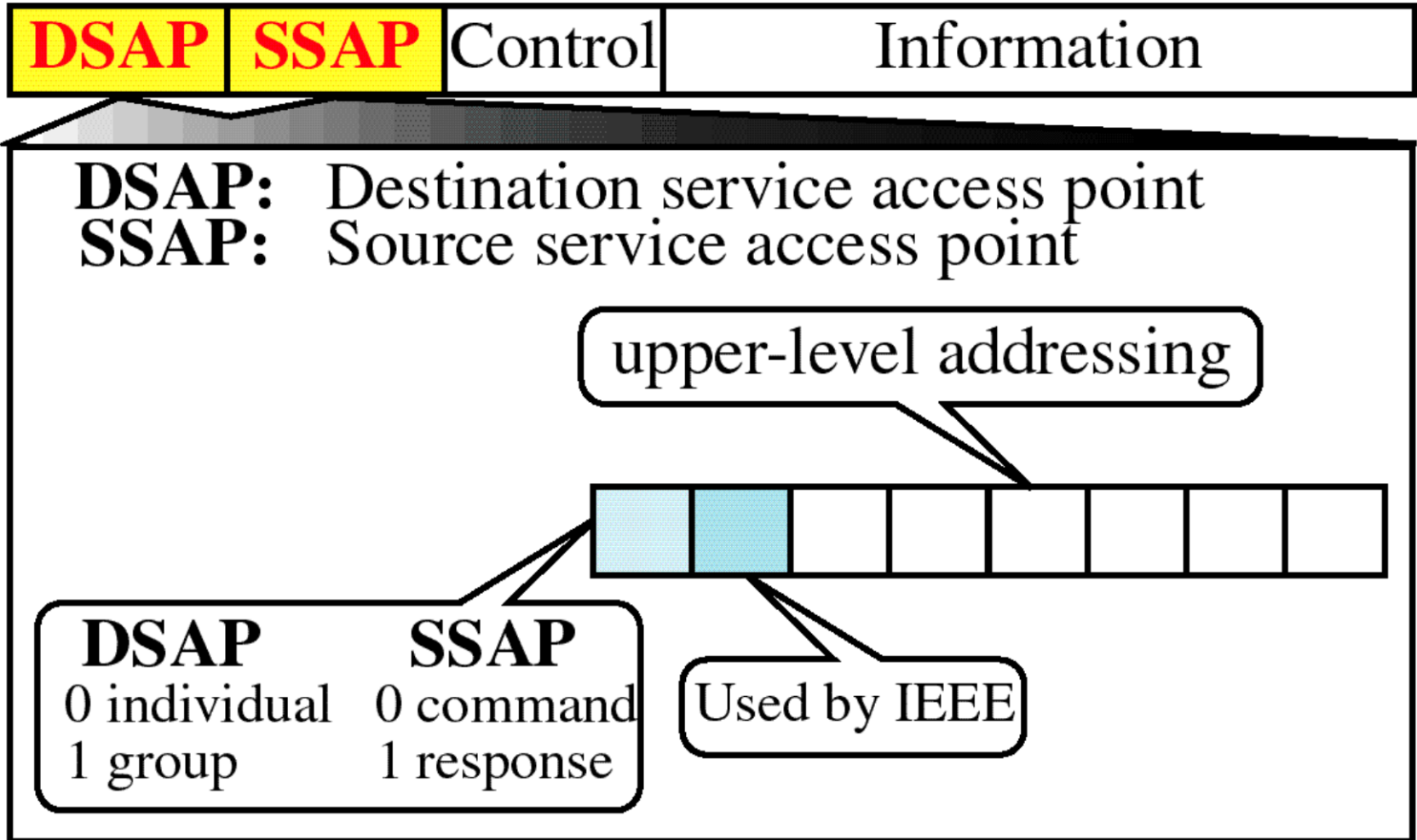
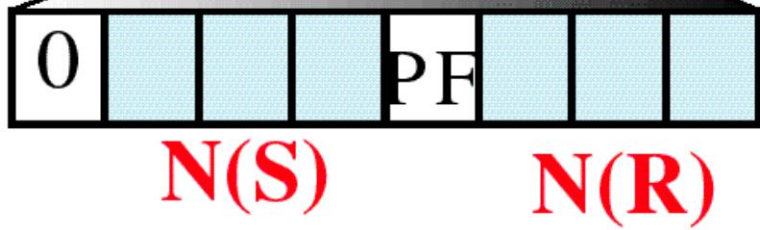
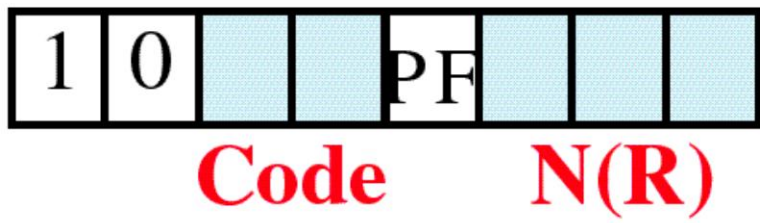


Figure 12-4

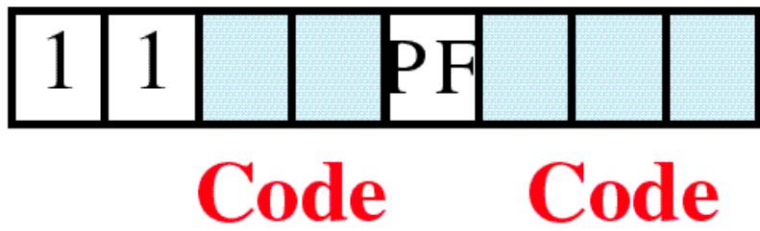
PDU Control Field



I-Frame



S-Frame



U-Frame

Figure 12-5

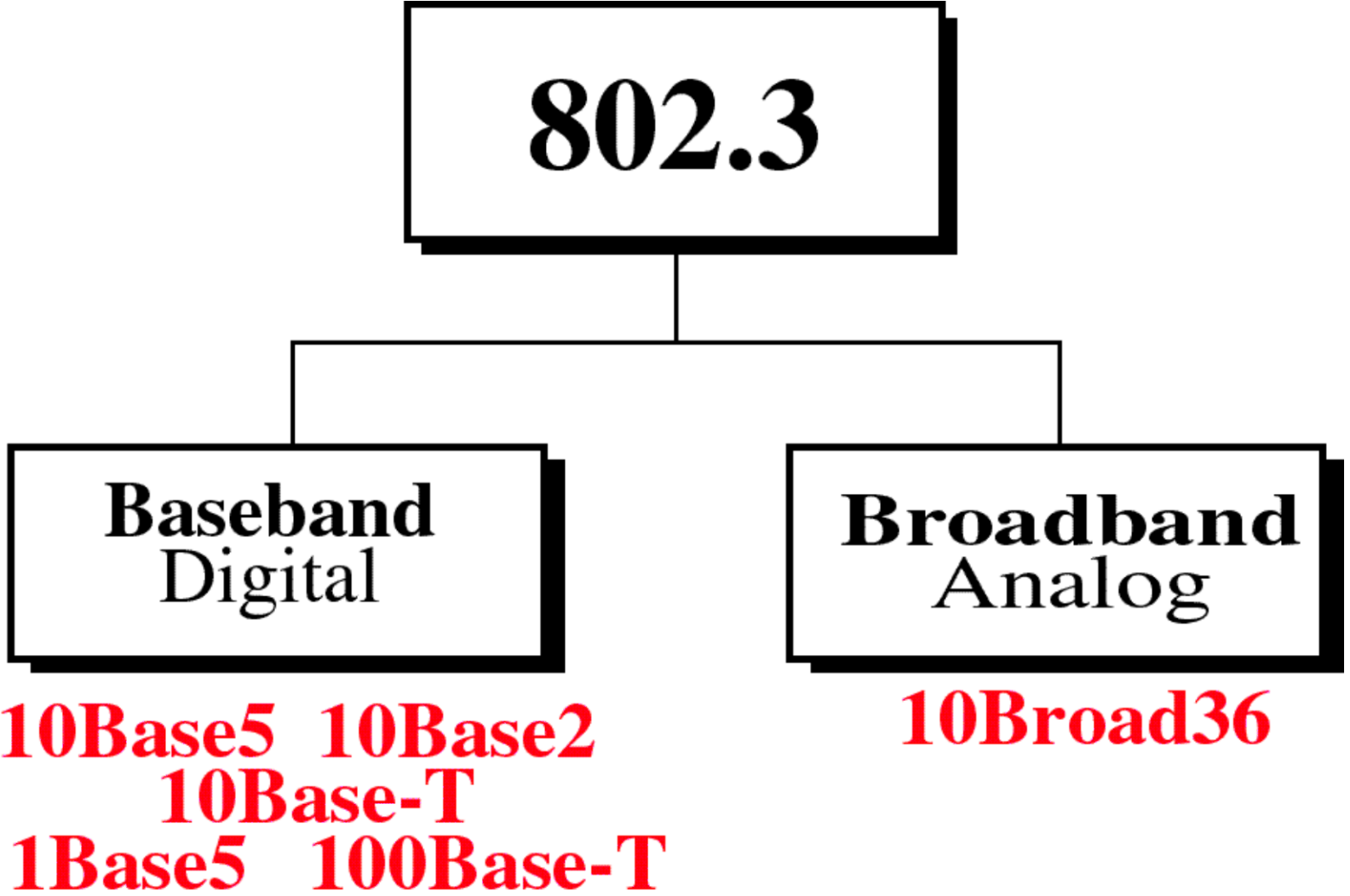


Figure 12-6

Evolution of CSMA/CD

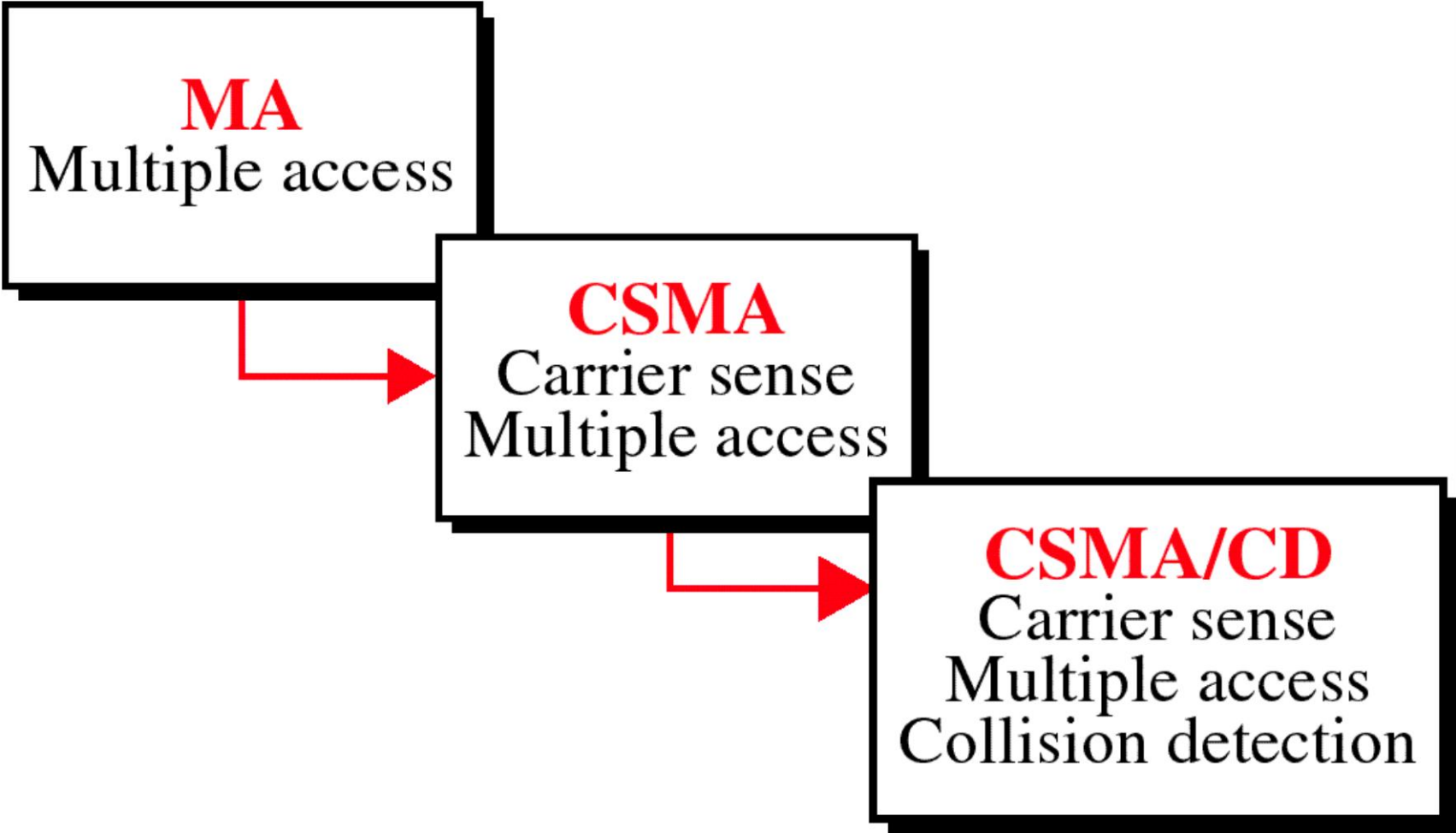


Figure 12-7

MAC Frame

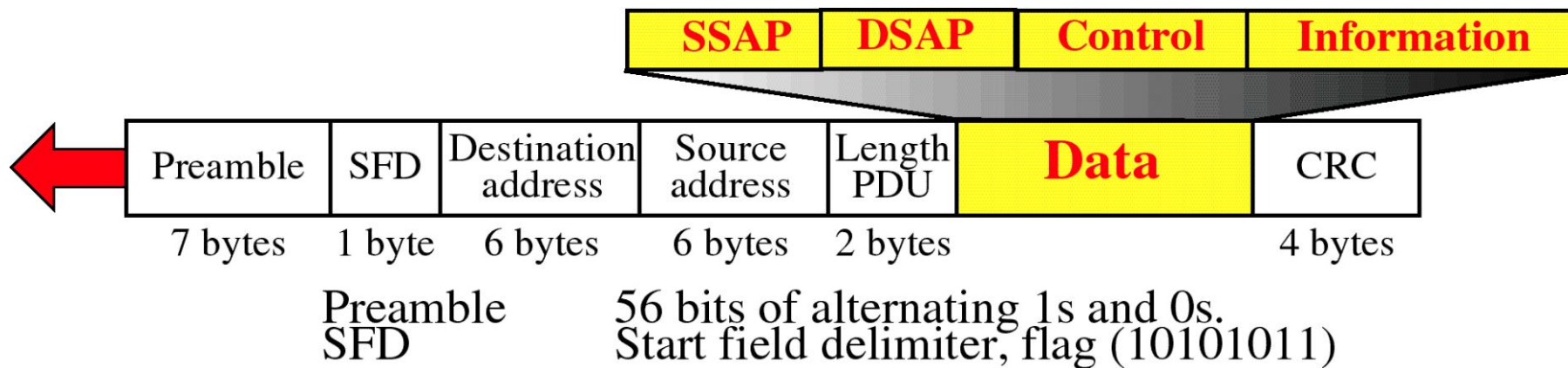


Figure 12-8

Ethernet Segments

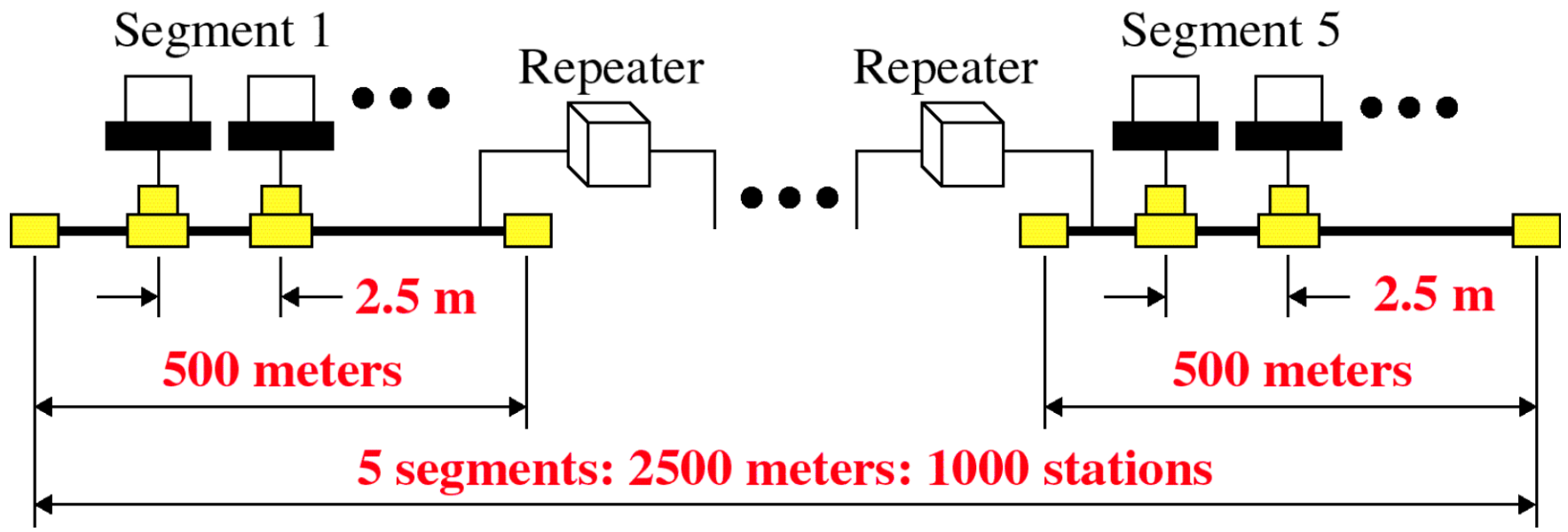


Figure 12-9



Figure 12-9-continued

10BASE5

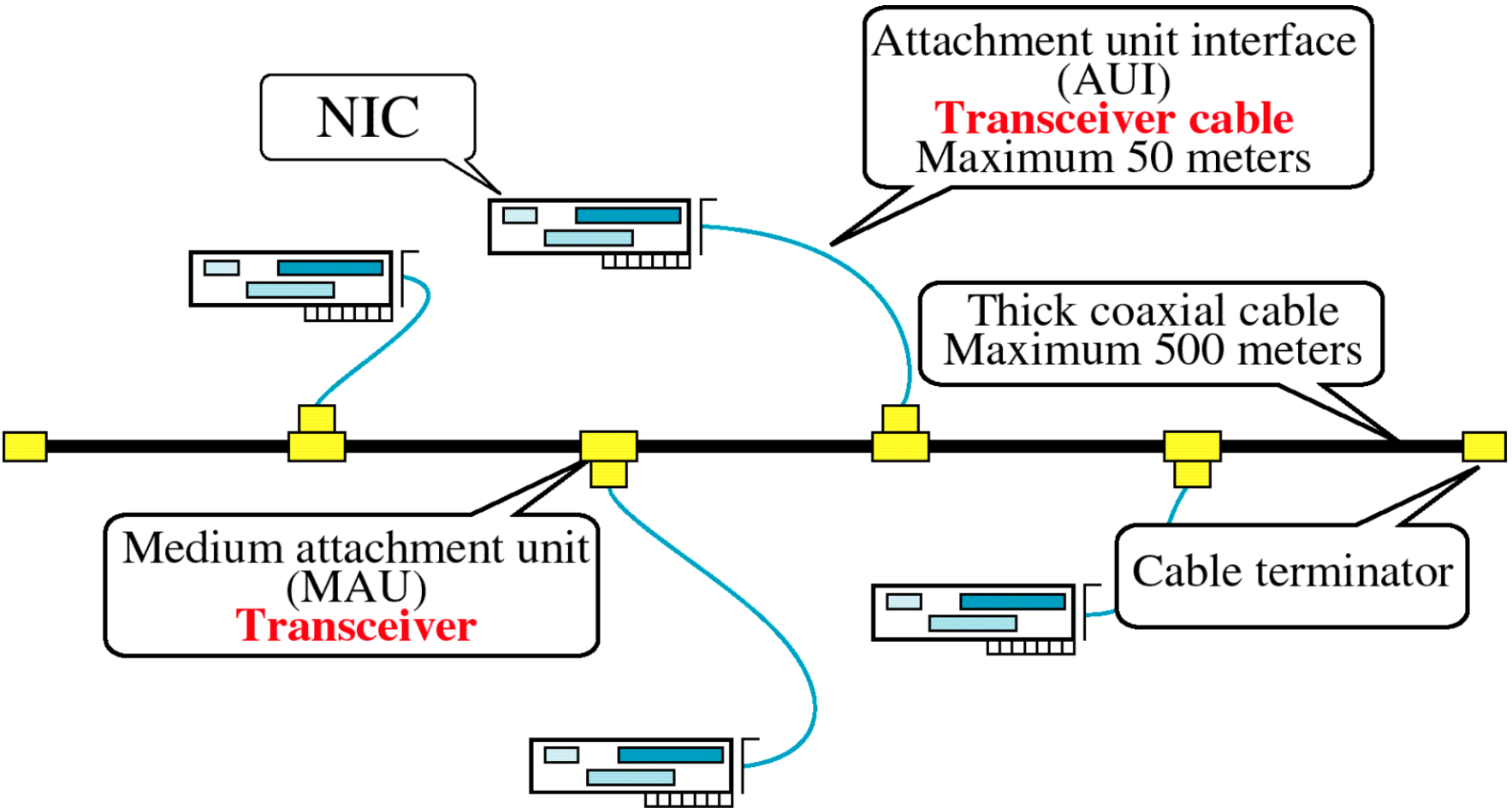


Figure 12-10

Transceiver

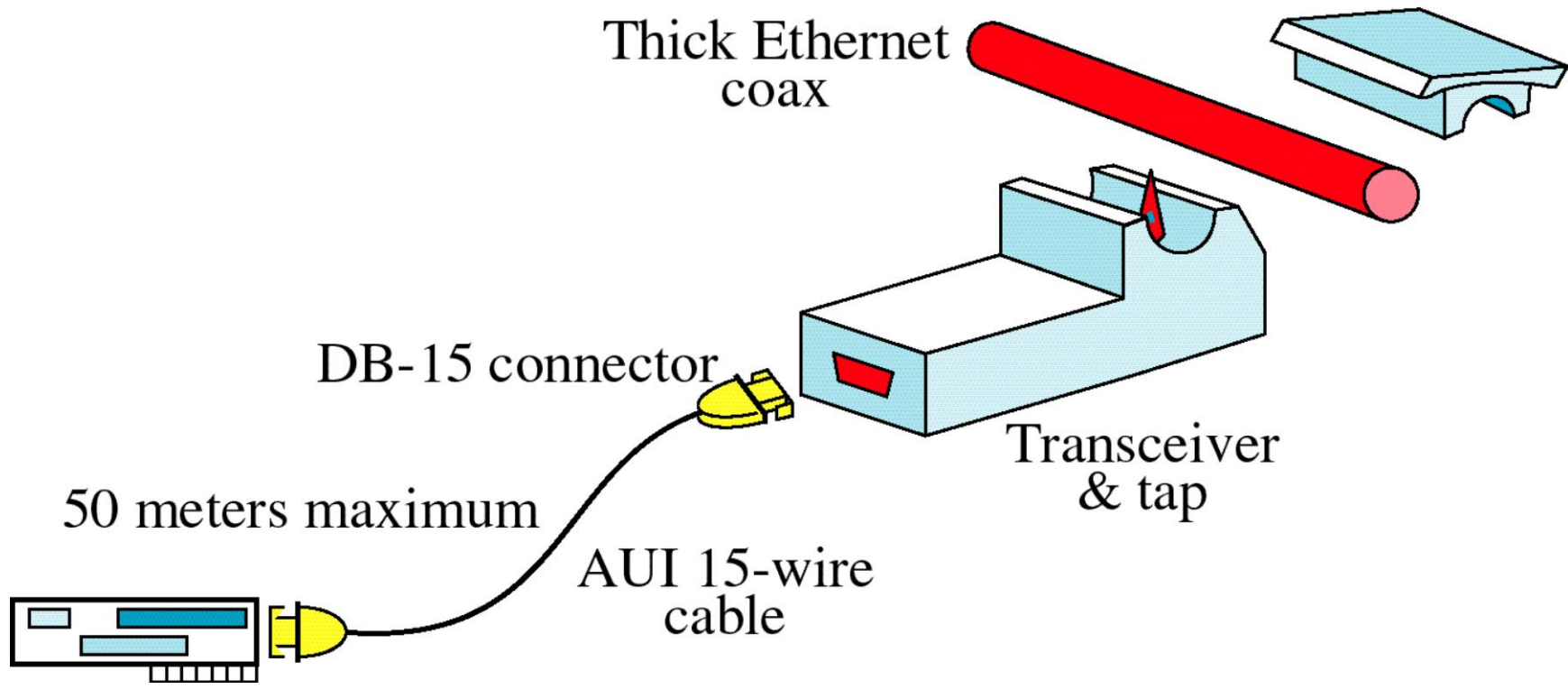


Figure 12-11

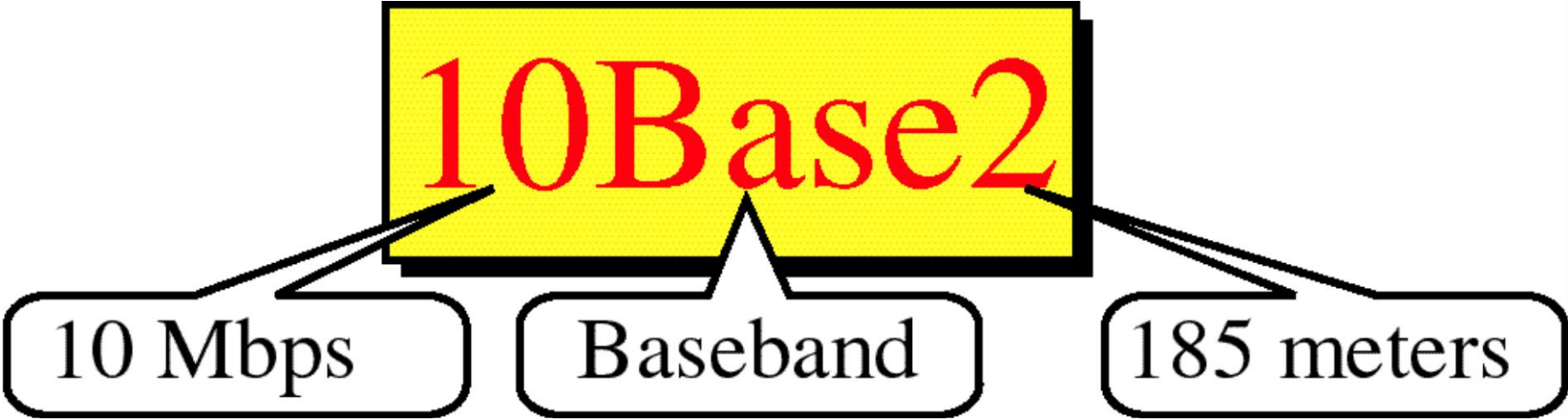


Figure 12-11-continued

10BASE2

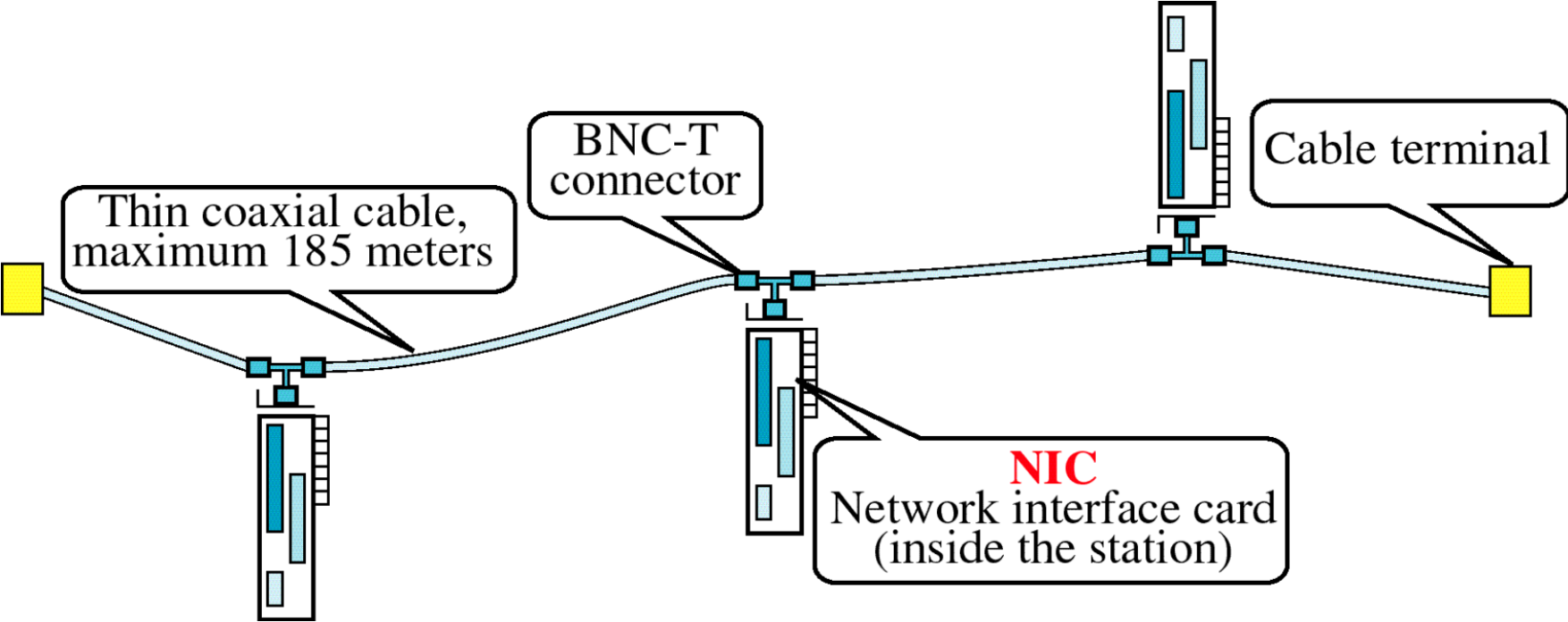


Figure 12-12

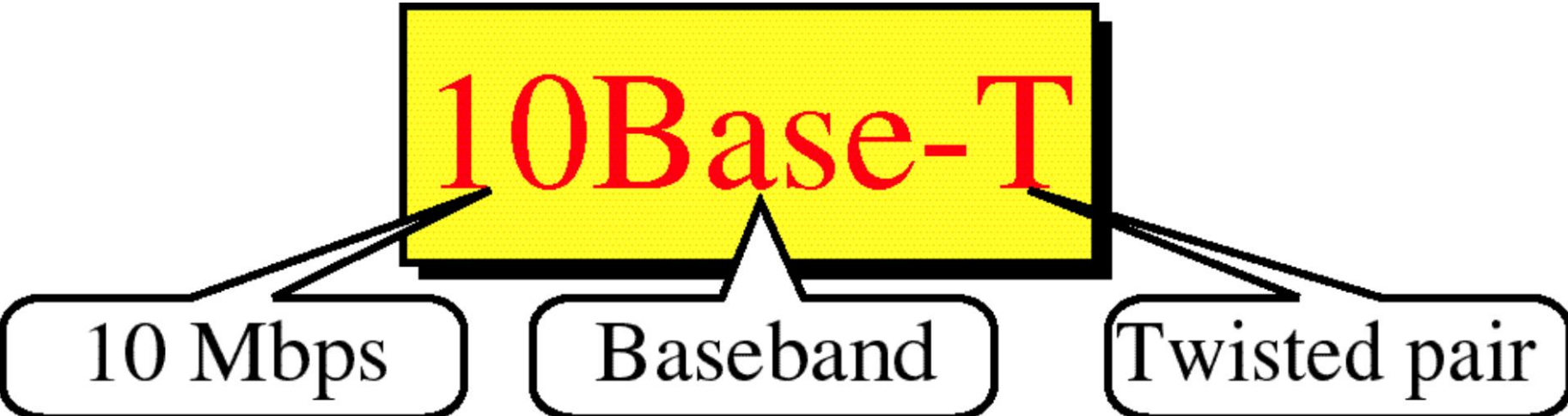


Figure 12-12-continued

10BASET

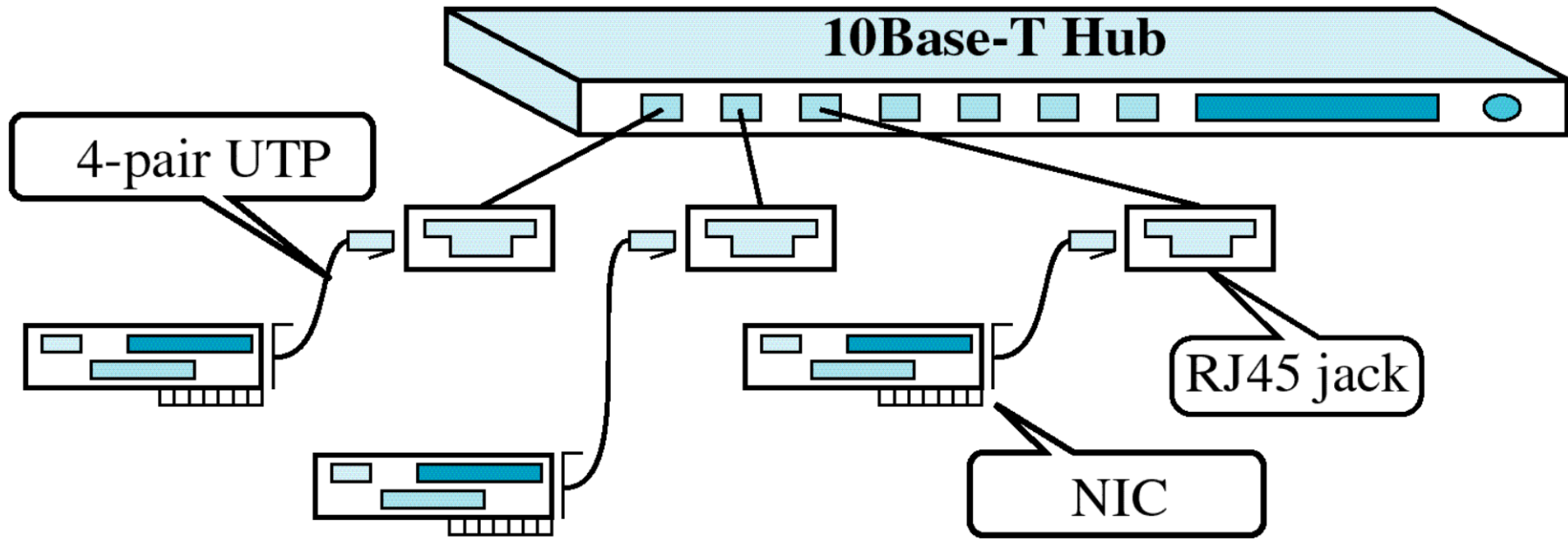
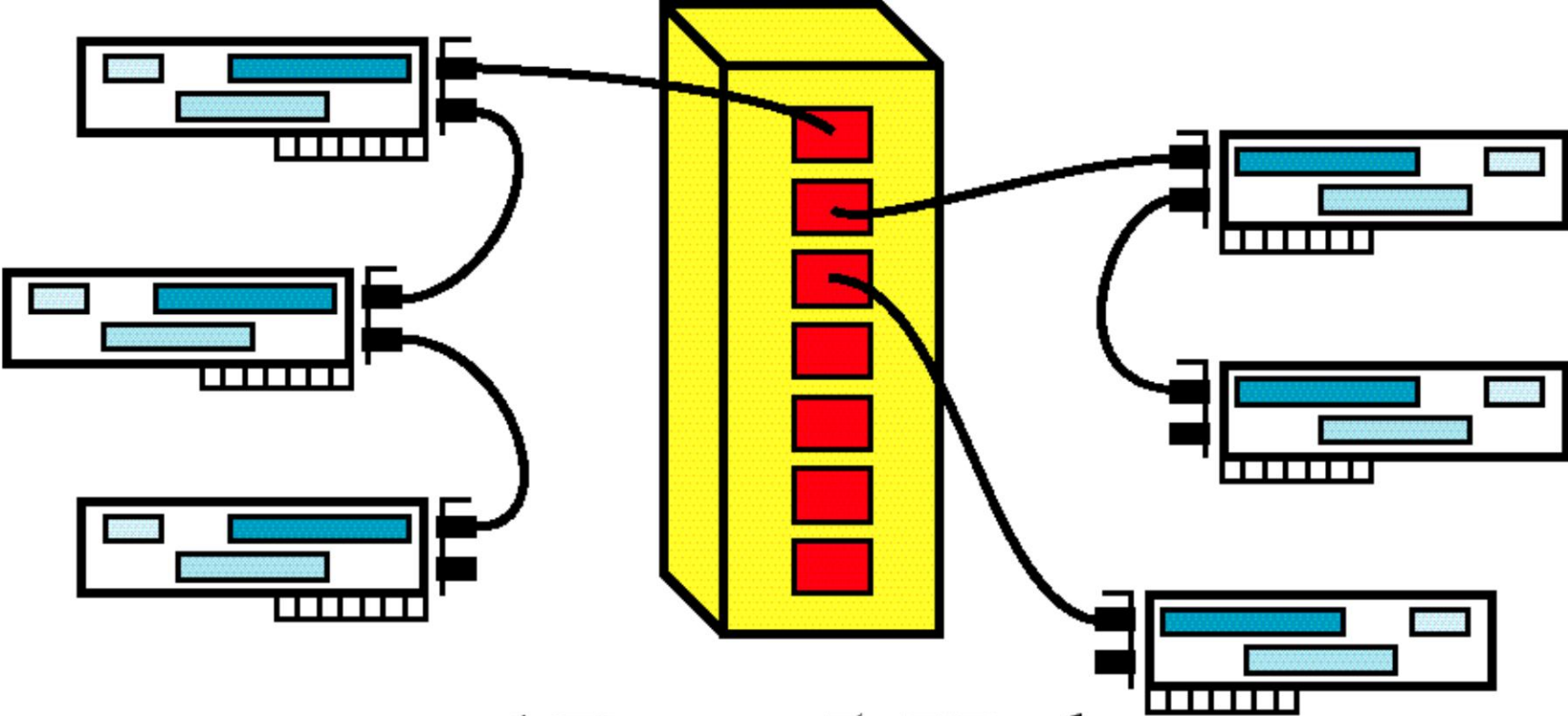


Figure 12-13



1BASE5



1Base5 Hub

Figure 12-14

